

Introducing Flo





FLO IS DESIGNED TO ACCOMMODATE WITH EASE THE LATEST GENERATION OF SCREENS UP TO 34 INCHES AND 7KG

Future-proof your workspace

Whether you prefer a sleek, flat screen or a curved, immersive experience, Flo is designed to effortlessly accommodate the latest generation of screens (up to 34" | 7kg | 1000R). Whichever screen you choose, Flo will provide the ergonomic excellence you need to work comfortably – improving posture, concentration, and well-being.

PRECISE ADJUSTMENT AT YOUR FINGERTIPS

The latest evolution of our unique diamond D-ring mechanism takes effortless fingertip tilt control to whole new levels. Whether it's your own workstation or a collaborative space, Flo now makes it easier than ever to quickly and precisely adjust your screen with minimal effort. Finding your optimal screen position helps eliminate glare, reduce visual fatigue and encourage a healthy posture.

TILT TOWARDS A HEALTHIER POSTURE

With Flo's innovative tilt adjustment finger screw, you can quickly and easily set up the ideal ergonomic workspace, whichever screen you're installing. Designed with the latest screen technology in mind, it effortlessly adapts to lighter, larger, curved and flat screens, while maintaining Flo's legendary smooth performance.

MAKING SUSTAINABILITY WORK

Created with sustainability at its core, Flo is now made using fewer types of materials so it can be easily dismantled and more readily recycled. Not that you'll be doing that any time soon, as Flo is designed to be future-ready and built to last, with a 12-year warranty. Being available as a bulk pack item in plastic-free packaging also means less waste and reduced emissions, thanks to more efficient storage and shipping.

TIMELESS DESIGN, UPGRADED FEEL

While Flo has been designed for the latest screens of today and tomorrow, we've stayed true to its minimalist design roots. Its clean, aesthetically pleasing lines are upgraded with a new texture and a contemporary colour block finish. And because it remains compatible across our current range, it will blend seamlessly into your existing workspace and set-up.

ULTIMATE CABLE CONTROL

Keeping your cables neat, tidy and under control is an integral part of Flo's considered design, not an afterthought. With a smart new cable cradle, built-in mid clip and removable side panels, it's easier than ever to control your cables and preserve the clean lines of Flo. A clutter-free workstation gives you the space to be more productive.

INSTALL YOUR WAY

Installing Flo is simple, either by hand or by using the tool provided. With its integrated weight gauge providing an instant visual guide, finding the correct setting couldn't be easier, no matter the type of screen you're using. Fine tune your installation with the adjuster for an even more accurate ergonomic set up.



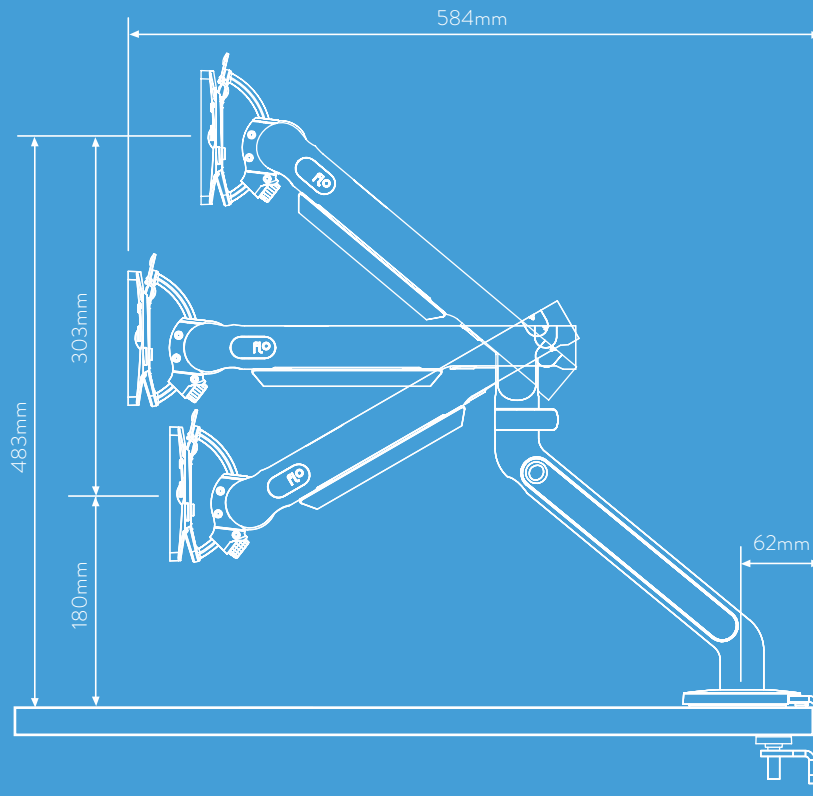
TIMELESS DESIGN,
UPGRADED FEEL



INTEGRATED WEIGHT GAUGE PROVIDING
AN INSTANT VISUAL GUIDE



QUICKLY AND PRECISELY ADJUST YOUR SCREEN WITH MINIMAL EFFORT



OVERVIEW

- Working load range 2 to 7kg (4.4 – 15.4lb)
- Designed to accommodate with ease the latest generation of screens (up to 34") including curved screens (up to 1000R and above)
- Smooth, dynamic movement through its patent pending Flo Dual Rate Spring Technology.
- Minimal environmental impact

