

## TEST REPORT (TRANSLATION)

CUSTOMER: **ENEA-EREDU S. COOP**

PERSON REQUESTING THE TEST: **IÑAKI ELIZEGI**

ADDRESS: **APARTADO 97,  
20250 LEGORRETA (GIPUZKOA)**

MATERIAL TESTED: **«LOTTUS» SERIES CHAIR WITHOUT  
ARMRESTS**

PURPOSE OF THE REQUEST: **TESTS IN ACCORDANCE WITH UNE-EN  
15373:2007**

DATE OF RECEIPT: **29.03.2010**  
TEST STARTING DATE: **30.03.2010**  
TEST COMPLETION DATE: **27.04.2010**  
DATE REPORT ISSUED: **27.04.2010**

The results included in this report only refer to the material received and subjected to testing in this Research Centre on the dates indicated.

This report contains five (5) pages and may not be reproduced without the express authorization of CIDEMCO, except where done so in its entirety

In case of a lawsuit, the original Spanish report No. 24797 shall be taken as reference



Julen Telleria  
Safety and Accessibility area Technician  
Architecture and Technologies for Construction



Maite Gurrutxaga  
Resp. For the Accreditation  
Architecture and Technologies for Construction

## FEATURES OF THE SAMPLE

On the 29<sup>th</sup> of March 2010 CIDEMCO received a «**LOTTUS**» series chair from the company ENEA-EREDU S. COOP, with the following characteristics:



Chair with 4 legs without armrests

## TESTS REQUESTED

Tests have been requested on the chair in accordance with the UNE-EN 15373:2007 standard «*Furniture. Resistance, durability and safety. Requirements for seats for non-domestic use*» at test level 3 (for severe use), which corresponds to those used in night clubs, police stations, transport terminals, public areas of hospitals, casinos, old people's homes, sports changing rooms, prisons and barracks. The tests requested have been as follows:

### 1. **Stability tests**, in accordance with UNE-EN 1022:2005

- 1.1. Forward overturn (sec. 6.2)
- 1.2. Lateral overturn, for chairs without armrests (sec. 6.5)
- 1.3. Backward overturn, for chairs with back (sec. 6.6)

## TESTS CARRIED OUT AND RESULTS

### 1-STABILITY

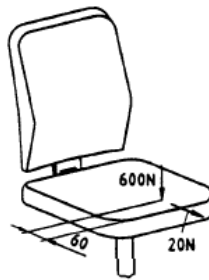
The test was carried out in accordance with the UNE-EN 1022:2005 standard: «*Domestic Furniture. Seats. Determination of Stability*»

The chair should not tilt under the following conditions:

- a) When pressing the front edge of the surface of the chair in the most adverse position
- b) When leaning back on an armrest
- c) When leaning on the back
- d) When the user sits on the front edge of the seat.

**1.1. Forward overturn test (sec. 6.2)**, in accordance with the UNE-EN 1022:2005 standard

A vertical force of 600 N is applied 60 mm from the front edge, at the point that is most susceptible to fault, and a forward horizontal traction force of 20 N is applied for at least 5 seconds.

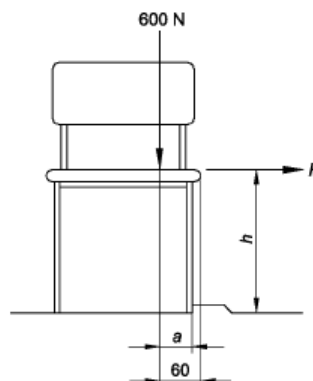


**RESULT: SATISFACTORY**

**1.2. Lateral overturn test. Chairs without armrests (sec. 6.5)**, in accordance with the UNE-EN 1022:2005 standard

A vertical force of 600 N is applied on the seat on those points 60 mm from the edge of the structure towards the side of the locked feet, in its most adverse position.

A horizontal force of 20 N is applied towards the outside of the chair for a minimum duration of 5 seconds.



**RESULT: SATISFACTORY**

**1.3. Backward overturn test. Chairs with back (sec. 6.6)**, in accordance with the UNE-EN 1022:2005 standard

The test involves applying a vertical force of 600 N on the load point of the seat and another of 80 N at the load point of the back.

The chair does not tend to overturn during the application of the above forces.

**RESULT: SATISFACTORY**